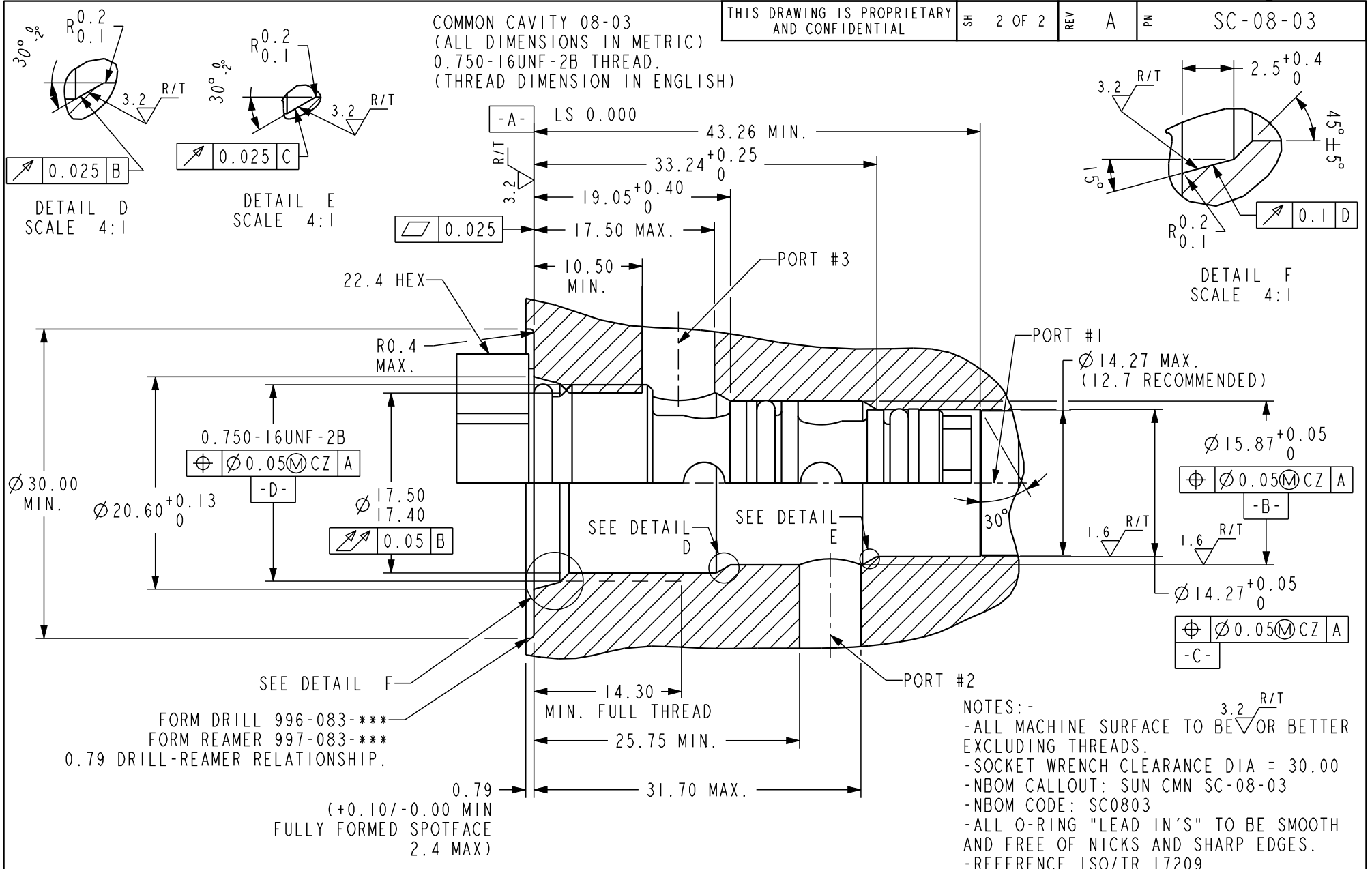


THIS DRAWING IS PROPRIETARY AND CONFIDENTIAL

SC 2 OF 2 REV A PN SC-08-03

COMMON CAVITY 08-03  
 (ALL DIMENSIONS IN METRIC)  
 0.750-16UNF-2B THREAD.  
 (THREAD DIMENSION IN ENGLISH)



0.025 B

0.025 C

0.025

0.1 D

0.750-16UNF-2B  
 Ø 0.05 M CZ A

Ø 15.87 +0.05/0  
 Ø 0.05 M CZ A

Ø 14.27 +0.05/0  
 Ø 0.05 M CZ A

NOTES:-  
 -ALL MACHINE SURFACE TO BE  $\sqrt{}$  OR BETTER EXCLUDING THREADS.  
 -SOCKET WRENCH CLEARANCE DIA = 30.00  
 -NBOM CALLOUT: SUN CMN SC-08-03  
 -NBOM CODE: SC0803  
 -ALL O-RING "LEAD IN'S" TO BE SMOOTH AND FREE OF NICKS AND SHARP EDGES.  
 -REFERENCE ISO/TR 17209.

FORM DRILL 996-083-\*\*\*  
 FORM REAMER 997-083-\*\*\*  
 0.79 DRILL-REAMER RELATIONSHIP.

0.79 (+0.10/-0.00 MIN FULLY FORMED SPOTFACE 2.4 MAX)

TITLE COMMON CAVITY 08-03				REV A	PN SC-08-03
SC 1:1	REF -	MATL -			
DWN VBC	CHK CL	HT TR -			
DATE 05APR21	DATE 05APR21	FINSH -			

**SUN hydraulics**<sup>®</sup>  
 1500 WEST UNIVERSITY PKWY  
 SARASOTA, FLORIDA 34243, USA  
 TELEPHONE (941) 362-1200