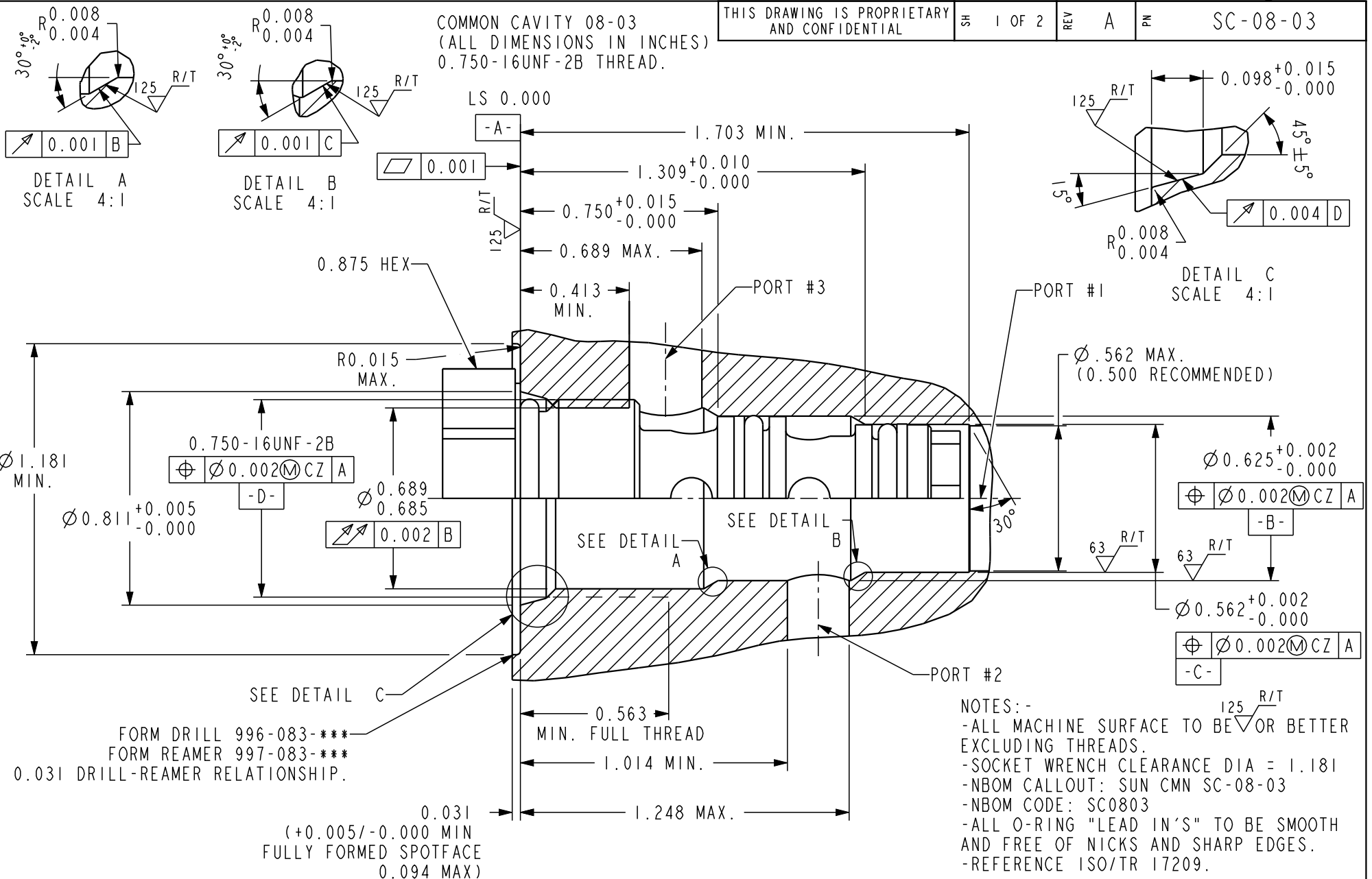


COMMON CAVITY 08-03
 (ALL DIMENSIONS IN INCHES)
 0.750-16UNF-2B THREAD.



								TITLE COMMON CAVITY 08-03			REV A	PN SC-08-03
					DIMENSION TOL .XX = ± .015 .XXX = ± .005 ANGLE TOL ± 1° FINISH 80 REMOVE ALL BURRS .005 MAX. BREAK MACHINING STANDARD S-180 IAW ASME Y14.100			SC 1:1	REF -	MATL -	1500 WEST UNIVERSITY PKWY SARASOTA, FLORIDA 34243, USA TELEPHONE (941) 362-1200	
					DWN VBC	CHK CL	HT TR -	FINSH -				
A	RELEASED	22APR21	JRS	CL	21474	DATE 05APR21	DATE 05APRR21					
REV	NOTES	DATE	DWN	CHK	ECR							